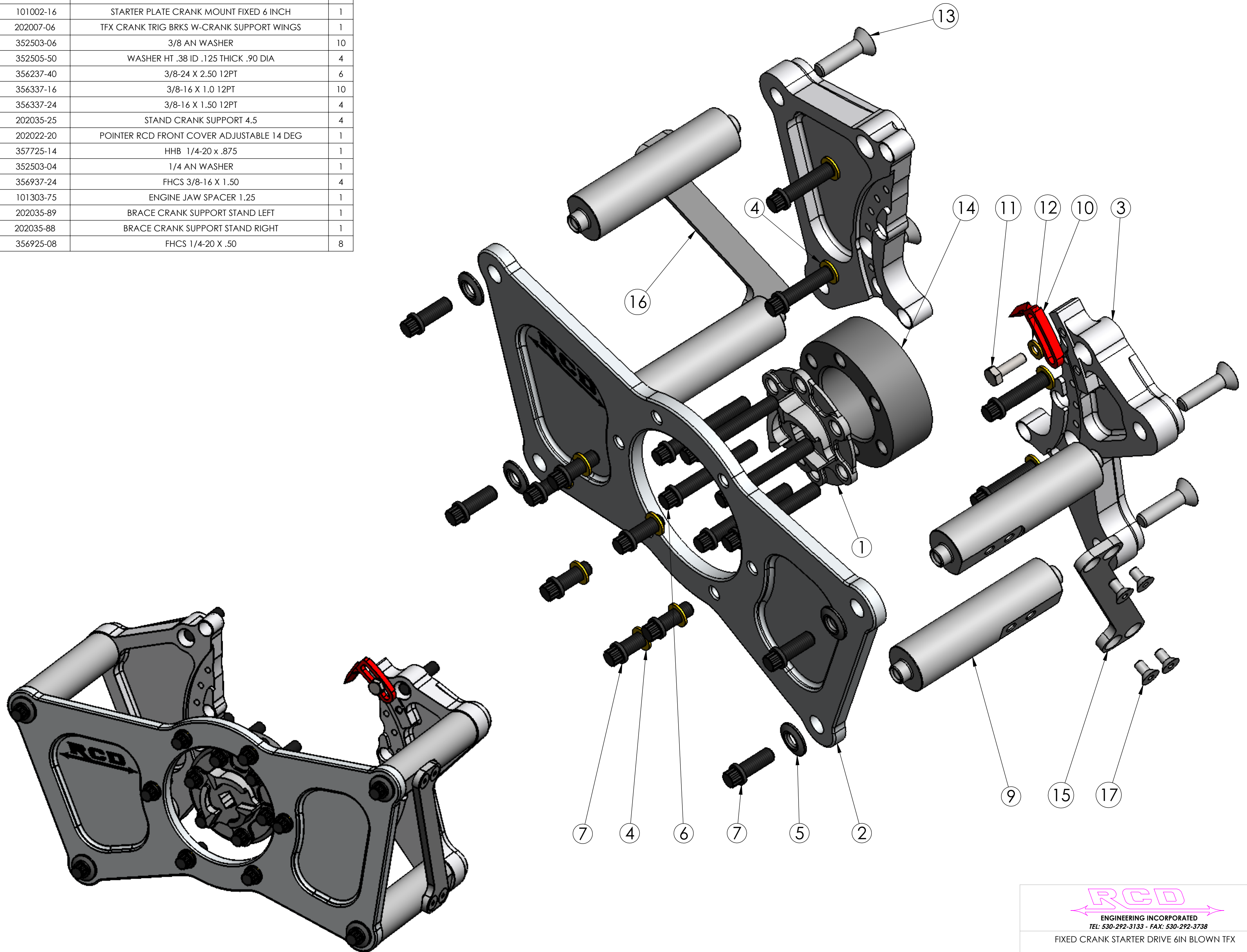


ITEM	PART NO.	DESCRIPTION	QTY.
1	101303-09	ENGINE JAW 6 HOLE	1
2	101002-16	STARTER PLATE CRANK MOUNT FIXED 6 INCH	1
3	202007-06	TFX CRANK TRIG BRKS W-CRANK SUPPORT WINGS	1
4	352503-06	3/8 AN WASHER	10
5	352505-50	WASHER HT .38 ID .125 THICK .90 DIA	4
6	356237-40	3/8-24 X 2.50 12PT	6
7	356337-16	3/8-16 X 1.0 12PT	10
8	356337-24	3/8-16 X 1.50 12PT	4
9	202035-25	STAND CRANK SUPPORT 4.5	4
10	202022-20	POINTER RCD FRONT COVER ADJUSTABLE 14 DEG	1
11	357725-14	HHB 1/4-20 x .875	1
12	352503-04	1/4 AN WASHER	1
13	356937-24	FHCS 3/8-16 X 1.50	4
14	101303-75	ENGINE JAW SPACER 1.25	1
15	202035-89	BRACE CRANK SUPPORT STAND LEFT	1
16	202035-88	BRACE CRANK SUPPORT STAND RIGHT	1
17	356925-08	FHCS 1/4-20 X .50	8



ENGINEERING INCORPORATED
 TEL: 530-292-3133 - FAX: 530-292-3738
 FIXED CRANK STARTER DRIVE 6IN BLOWN TFX